

# MTL 9493-PS-XXX

## intrinsically safe power supply



This page left intentionally blank

**CONTENTS**

- 1 FEATURES ..... 1**
- 2 DESCRIPTION ..... 1/2**
- 3 DIN-RAIL INSTALLATION METHOD ..... 3**
  - 3.1 Protection of equipment .....3**
  - 3.2 DIN rail mounting .....3**
    - 3.2.1 Mounting power supplies on DIN rail .....4
    - 3.2.2 Wiring up power supplies.....4
    - 3.2.3 Ambient temperature considerations .....5
  - 3.3 Power bus - Installation and use .....5**
  - 3.4 Earth rail and tagging accessories .....6**
    - 3.4.1 Parts list .....6
  - 3.5 Assembly .....8**
    - 3.5.1 Fitting earth rails .....8
    - 3.5.2 Fitting tagging strips .....8
    - 3.5.3 Completed assemblies .....9
- 4 BACKPLANE MOUNTING VARIANT ..... 10**
  - 4.1 Accessories .....10**
  - 4.2 Protection of equipment ..... 10**
  - 4.3 Backplane mounting .....10**
    - 4.3.1 Surface mounting – with kit SMS01 .....12
    - 4.3.2 T- or G-section DIN-rail mounting –with kit DMK01 .....12
  - 4.4 Backplanes – identification and tagging .....12**
    - 4.4.1 Backplane identification labels.....12
    - 4.4.2 Tagging strip mounting kit (TSK08) .....12
  - 4.5 Backplanes - earth rails .....14**
    - 4.5.1 Earth rail kit (ERK08) .....14
  - 4.6 Backplanes – power supply connections .....14**
    - 4.6.1 Single backplane .....14
    - 4.6.2 Interconnection of power supplies for multiple backplanes.....14
  - 4.7 Fitting MTL 9493-PS-XXX modules to backplane.....14**
    - 4.7.1 Installation- Figure 4.15.....14
    - 4.7.2 Module removal- Figure 4.16 .....14
- 5 ENVIRONMENTAL ..... 16**
- 6 WASTE REMOVAL INFORMATION ..... 16**
- 7 APPROVALS ..... 16**
- 8 ATEX & IECEX CERTIFICATION INFORMATION ..... 17/18**
- 9 DECLARATION OF CONFORMITY ..... 19**

## GENERAL SAFETY INFORMATION

### Safety instructions for installation and operating personnel

The operating instructions provided here contain **essential safety instructions** for installation personnel and those engaged in the operation, maintenance and servicing of the equipment.



#### WARNING !

A 'WARNING' marked in this way is provided for operator and plant safety and **MUST** be followed.

#### CAUTION !

A Caution is provided to prevent damage to the instrument.

#### NOTE

These are used to guide the user in the operation of the instrument.

### Before commencing installation or commissioning:

- Read and understand the contents of this manual
- Ensure installation and operating personnel have received adequate training for this task
- Ensure that any operating instructions are fully understood by the personnel responsible.
- Observe national and local installation and mounting regulations (e.g. IEC 60079-14).



#### WARNING !

These assemblies may not be used in explosion-hazard area applications if they have been used previously in general electrical installations.



#### WARNING !

The responsibility for planning, installation, commissioning, operation and maintenance, particularly with respect to applications in explosion-hazard areas, lies with the plant operator.

### During operation:

- Make the relevant instructions available at all times to the operating personnel.
- Observe safety instructions.
- Observe national safety and accident prevention regulations.
- Operate the equipment within its published specification.
- Servicing, maintenance work or repairs not described in this manual must not be performed without prior agreement with the manufacturer.
- Any damage to this equipment may render its explosion protection null and void.
- No changes to any of the components that might impair their explosion protection are permitted.

### If any information provided here is not clear:

Contact **Eaton** or an authorised MTL distributor or sales office.

#### NOTE

**Improper installation and operation of the enclosure can result in the invalidation of the guarantee.**

# MTL 9493-PS-XXX IS Power Supply



## 1 FEATURES

- Isolated power supply
- Zone 2 mountable
- DIN-rail or backplane mounting
- ATEX / IECEx approvals
- Range of Ex ia output voltages available
- Power over Ethernet option (PoEx)\*
- Multiple outputs achieved by ganging MTL 9493-PS-XXX modules using 24V DC power distribution backplane

*\*Note – PoEx is a simple adaptation of the IEEE 802.3af Power over Ethernet (PoE) standard to bring the benefits to the 9400 Range of Hazardous Area devices. This allows two spare pairs in the existing Cat5e cable to distribute the power supplied to a 9466 Ethernet Switch (Power Sourcing Equipment – PSE) to each of the devices connected to its five ports (PD – Powered Device). This adaptation is necessary due to restrictions for Hazardous Area use. It is not implied that the device conforms to the 802.3af (PoE) standard.*

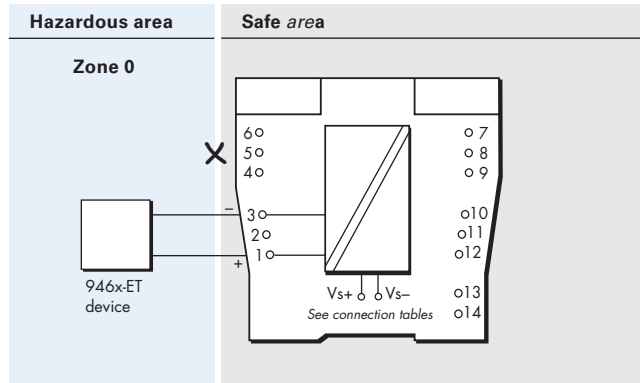
## 2 DESCRIPTION

The MTL 9493-PS-XXX Power Supply is a general purpose intrinsically safe power supply unit. It takes a 24v DC safe area or zone 2 supply and produces an intrinsically safe output available in a range of different DC voltages. The MTL 9493-PS-XXX may be mounted in a safe area or zone 2 hazardous area.

The output is Ex ia certified for group I, IIA, IIB or IIC, depending on model to suit different applications. See Figures 2.1 for connection details.

If multiple outputs are required, there is a power distribution backplane available to simplify

**Figure 2.1**  
Zone 0  
Ex ia IIB  
application



**Table 2.1**  
DIN-rail  
mounting  
connections

| Terminal | Function         |
|----------|------------------|
| 1        | Ex ia output +ve |
| 2        | n.c.             |
| 3        | Ex ia output -ve |
| 13       | Supply -ve (Vs-) |
| 14       | Supply +ve (Vs+) |

**Table 2.2**  
Backplane  
mounting  
connections

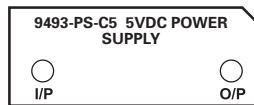
| Terminal    | Function         |
|-------------|------------------|
| 1           | Ex ia output +ve |
| 2           | n.c.             |
| 3           | Ex ia output -ve |
| 7, 8 & 9    | Supply -ve (Vs-) |
| 10, 11 & 12 | Supply +ve (Vs+) |

the 24VDC input connection to the modules, or alternatively a number of them can be DIN-rail mounted with a convenient "Powerbus" input.


The MTL 9493-PS-XXX module has LED power indication for both input and output (see Figure 2.2) along with internal current limiting and electronic auto-reset circuit breaker action to protect the module in the event of its output being short circuited or overloaded. This also minimises the power dissipation during the fault to a negligible level, thus improving reliability.

### 3 DIN-RAIL INSTALLATION METHOD

**Figure 2.2**  
MTL 9493-PS-XXX  
top label and  
LED indicators




This section deals with mounting the individual MTL 9493-PS-XXX power supplies on DIN rail, for backplane mounting see **Section 4**.

|   |   |
|---|---|
|  <p><b>WARNING</b></p> | <p><b>WARNING !</b></p> <p>If this module is to be connected to intrinsically safe apparatus, it must be installed, operated and maintained only by trained competent personnel and in accordance with all appropriate international, national and local standard codes of practice and site regulation and in accordance with the instructions contained here.</p> |
|---|---|

### 3.1 Protection of equipment

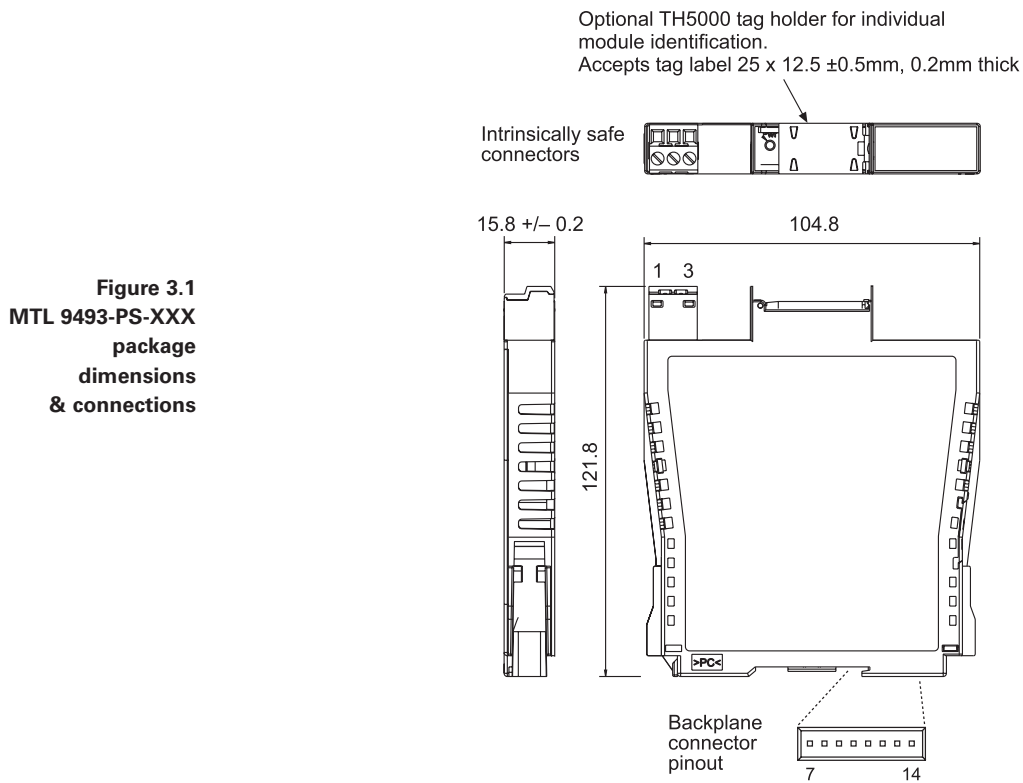
When the power supply is mounted in a safe area ensure that the local environment is clean and free of dirt and dust and note the ambient temperature considerations given in Section 5.

|   |   |
|---|---|
|  <p><b>WARNING</b></p> | <p><b>WARNING !</b></p> <p>When mounted in a Zone 2 hazardous area the module must be protected by a suitably certified enclosure. See the Special Conditions for Safe Use provided in the ATEX Safety Instructions at the end of this manual for further details of operation in Zone 2 hazardous areas.</p> |
|---|---|

### 3.2 DIN rail mounting

Mount the MTL 9493-PS-XXX power supplies on low-profile (7mm) or high-profile (15mm) type T35 (top-hat) DIN-rail to EN50022, BS5584, DIN46277; this is available from MTL, in 1 metre lengths (THR2 DIN rail). It is recommended that, in normal practice, the DIN rail is earthed to ensure personnel safety in the event of mains being put accidentally on the rail.

See Figure 3.1 for power supply dimensions.

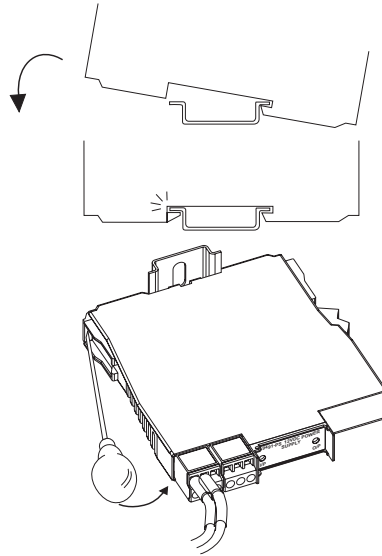


**Figure 3.1**  
MTL 9493-PS-XXX  
package  
dimensions  
& connections

### 3.2.1 Mounting power supplies on DIN rail

Clip power supplies onto type T35 DIN rail as shown in Figure 3.2, with the blue signal plugs facing towards the hazardous-area wiring. To remove an power supply from the rail, insert a screwdriver blade into the clip as shown and lever the clip gently outwards; pivot the power supply off the rail. Allow a maximum mounting pitch of 16.2mm for each unit.

**Figure 3.2**  
DIN rail mounting  
and removal  
of module



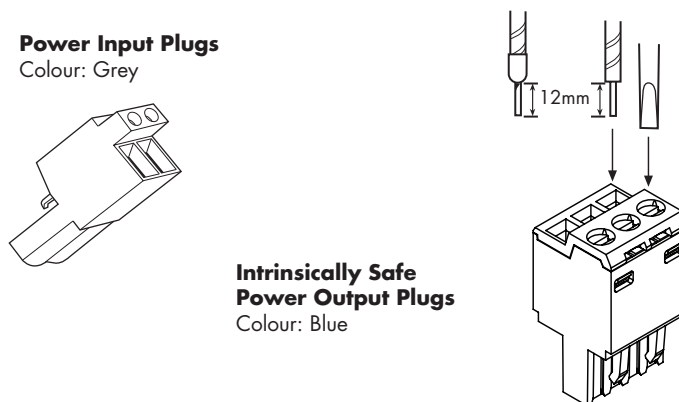
### 3.2.2 Wiring up power supplies

Depending on the installation, it may be easier to wire up power supplies with power plugs either in place or removed. Either way, allow sufficient free cable to permit plugs to be removed easily for future maintenance and/or replacement purposes.

#### Power conductors

The removable power plugs are fitted with screw clamp terminals. Note that the conductors should be between 14 and 24 AWG (1.6 and 0.5mm dia) in size. Plugs, located on top of the modules, are mechanically keyed to fit in only one position. The input power plug slots into the socket at terminals 13 and 14 on the safe-area side of each module.

**Figure 3.2**  
Removable  
power plugs



#### Making connections

- Trim back the insulation of conductors by 12mm.
- Check the terminal assignments shown in section 6 or on the side label of the unit.
- Insert conductors according to the terminal assignments and tighten screws.

If the wires are to be fitted with crimp ferrules, 10–12mm is the recommended length of the metal tube. If longer ones are used, they must be trimmed to 12mm before fitting.



## Finishing

Wire up individual power supplies in accordance with wiring schedules. Daisy-chain power supply connections between individual power plugs or use the power bus (see section 4.1).

Segregate hazardous- and safe-area wiring into separate trunking or looms wherever possible to avoid errors and maintain a tidy installation.

### 3.2.3 Ambient temperature considerations

Ambient temperature limits for unenclosed power supplies are from -40°C to +70°C with units close-packed.

## 3.3 Power bus - Installation and use

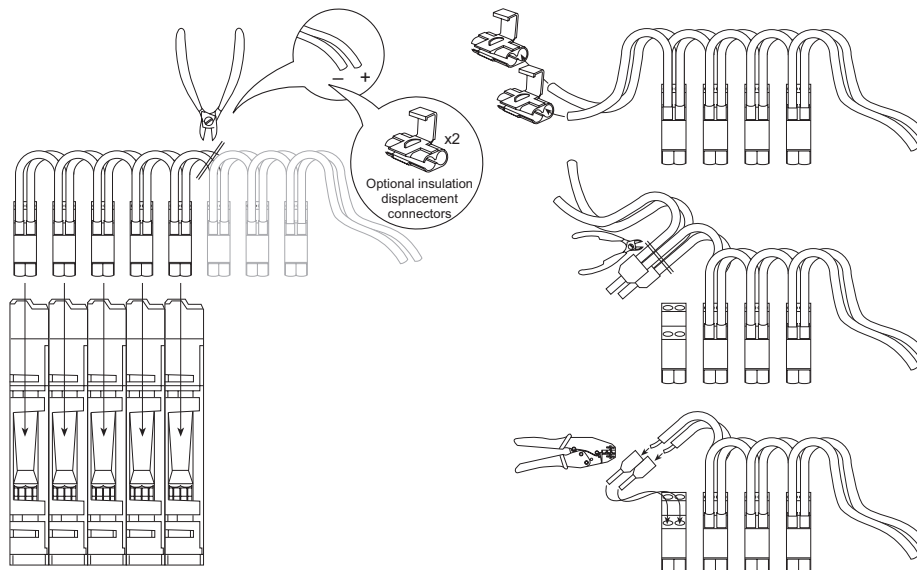
A PB-8T power bus kit enables power supply terminals (13 and 14) of up to 8 installed MTL 9493-PS-XXX power supplies to be linked to a standard 24V power supply. The bus consists of a chain of power plugs and different lengths are available to suit various numbers of modules as follows.

1. Check to make sure the bus length is correct for the number of modules involved.
2. If the number of modules is less than the maximum number the chain will support, cut off the surplus power plugs at the tail end of the chain - leaving sufficient cable to attach further power plugs if it becomes necessary later.
3. Insert power plugs into the power terminals on the safe- area side of each module in sequence.
4. Connect the power supply source to the tail end of the chain (using the insulation displacement connectors [Scotchlocks] provided if required).

### Notes:

1. *To avoid excessive voltage drop or over-current, DO NOT connect power buses in series.*
2. *Surplus sections can be used (and, if required) connected together provided the cut ends are safely terminated and/or connected together. Use single ferrules with a crimp tool or insulation displacement connectors (Scotchlocks). Suitable ferrules and connectors are provided with the kits.*

**Figure 3.3**  
Power bus  
wiring, joining  
and terminating



### 3.4 Earth rail and tagging accessories

This section explains how to specify and assemble earth rail and tagging strip accessories for the MTL 9493-PS-XXX power supplies. The accessories consist of mounting brackets, earth rails, tagging strips and associated parts. They provide facilities for earthing, terminating cable screens and tagging (identifying) the positions of individual units.

#### 3.4.1 Parts list

**IMB57 Insulating mounting block (Figures 3.4, 3.5 & 3.6)**

One required at each end of a tagging strip/earth rail. Suitable for low-profile (7.5mm) and high-profile (15mm) symmetrical DIN rail.

**ERB57S Earth-rail bracket, straight (figure 3.10)**

Nickel-plated bus bar; supplied with two push fasteners, one earth-rail clamp (14mm, 35mm<sup>2</sup>) and one earth cable clamp (10mm, 16mm<sup>2</sup>).

*Note: ERB57S is the preferred choice of earth-rail bracket. It is usually fitted in the upper slot on insulating mounting block IMB57.*

*Where the earth rail is required to be positioned at a lower height and to allow access to the IMB57 mounting screws, the straight earth-rail bracket ERB57S can be inserted in the lower slot, but only after insulating mounting blocks IMB57 are clamped to the DIN rail. This may not be possible if, for example, trunking is fitted. In this case, fit offset earth-rail bracket ERB570 (see figure 3.4 & 3.10) in the upper slot: the mounting blocks can then be fitted in a restricted space with this bracket already fitted.*

**ERB570 Earth-rail bracket, offset (figure 3.10)**

Nickel-plated bus bar; supplied with two push fasteners, one earth-rail clamp (14mm, 35mm<sup>2</sup>) and one earth cable clamp (10mm, 16mm<sup>2</sup>).

**ERL7 Earth rail, 1m length (figure 3.10)**

Nickel-plated bus bar; may be cut to length.

**TAG57 Tagging strip, 1m length (figure 3.10)**

Cut to size. Supplied with tagging strip label.

**TGL57 Tagging strip labels, set of 10 x 0.5m**

Spares replacement, for use with TAG57 tagging strip.

**MS010 DIN rail module spacer, 10mm, pack of 5 (figure 3.8)**

Grey spacer; one required between each MTL 9493-PS-XXX and any adjacent module on a DIN rail, to provide 10mm air-circulation space between modules.

**ETM7 Earth terminal, bag of 50 (figure 3.9)**

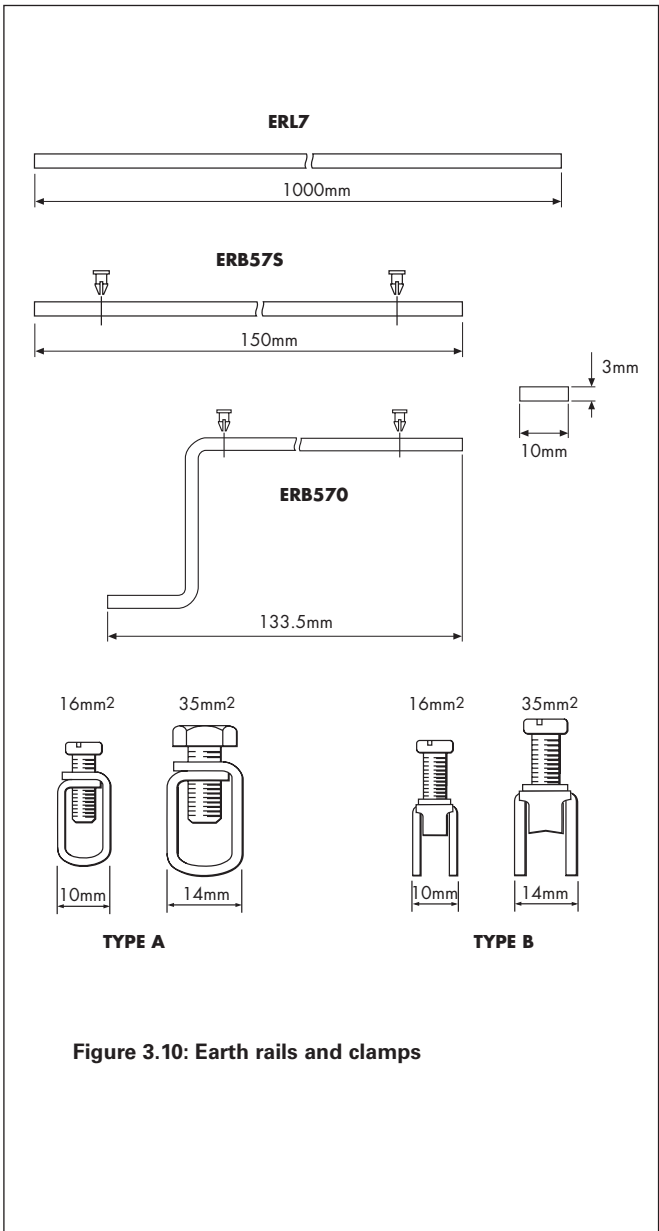
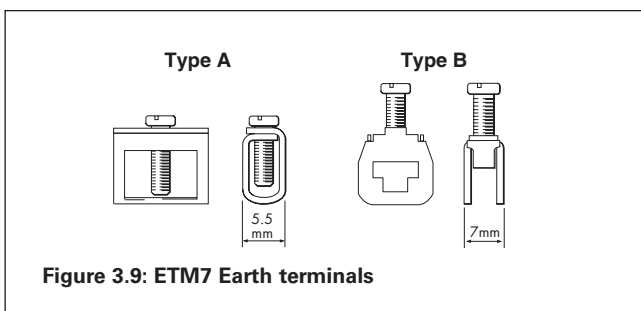
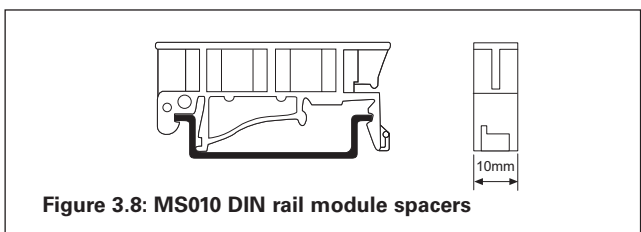
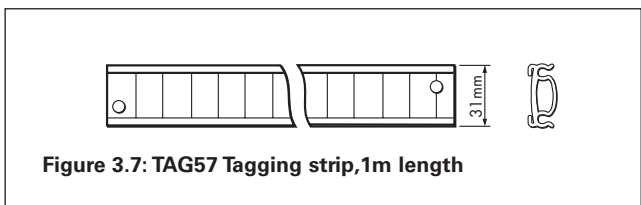
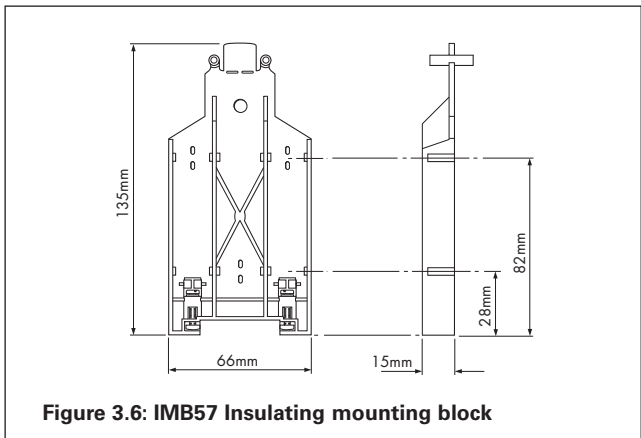
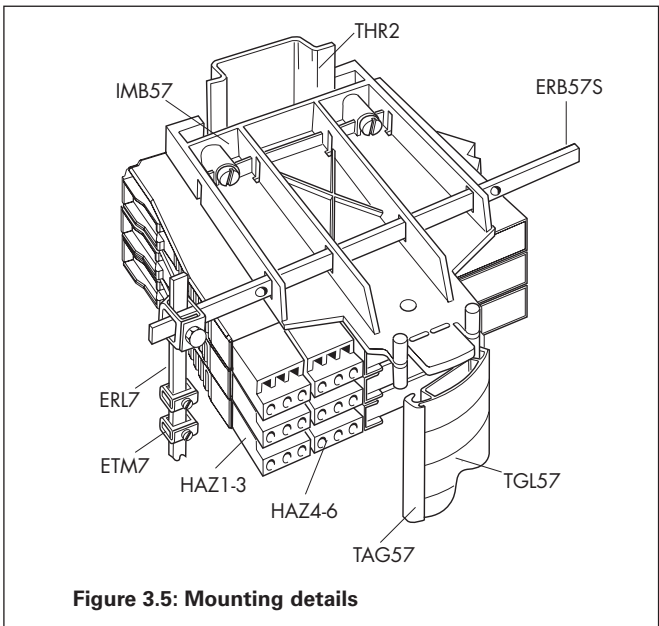
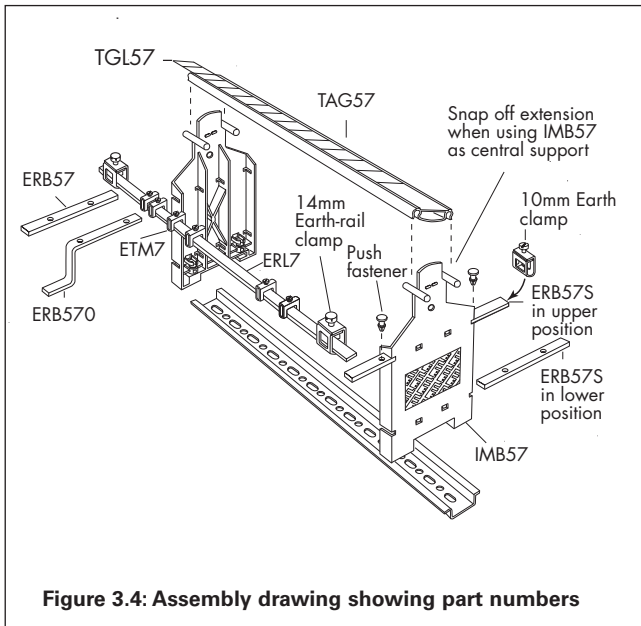
For terminating cable screens and 0V returns on the ERL7 earth rail. For cables ≤ 4mm<sup>2</sup>.

**TH5000 Tag holder**

Spares replacement.

**Connectors**

Spares replacement: HAZ1-3, HAZ4-6, HAZ-CJC, PWR5000, SAF7-9, SAF10-12 (SAF1-3 and SAF4-6 grey connectors, also available for use in safe-area applications).



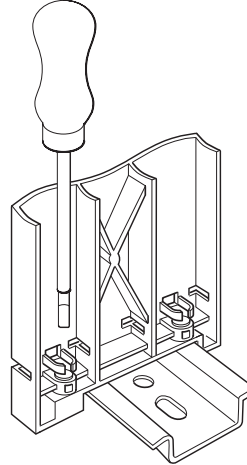
## 3.5 Assembly

### 3.5.1 Fitting earth rails

a) In upper position

Before fitting insulating mounting blocks IMB57, check that the swing nuts in the base of each unit are turned back into the moulding. Locate the mounting blocks on the DIN rail in the chosen position and tighten the screws (see figure 3.11). Check that the swing nuts rotate correctly to locate underneath the flanges of the DIN rail.

**Figure 3.11:**  
**Fitting IMB57**



Slide a straight earth-rail bracket ERB57S into the upper slot in each mounting block. Push two plastic push fasteners into each bracket to locate the brackets in the mounting blocks.

Cut earth rail ERL7 to the length needed. Slide the required number of ETM7 earth terminals (5mm or 7mm wide) onto the rail. Clamp each end of the earth rail to earth-rail brackets ERB57S using the terminal clamps (14mm, 35mm<sup>2</sup>) supplied. Fit an earth clamp (10mm, 16mm<sup>2</sup>) to the free end of each earth-rail bracket.

Note: For lengths of earth-rail greater than 500mm, provide additional support by installing a third IMB57 mounting block and earth-rail bracket, mid-way between the end mounting blocks. Snap out the perforated extension between the lugs on this mounting block if a continuous tagging strip is to be fitted (see figure 3.4).

b) In lower position, where at least 150mm clearance exists on one side, measured from the edge of the mounting block.

As for a), but slide earth-rail brackets ERB57S into the lower slots in each mounting block.

c) In lower position, where there is insufficient clearance to fit earth-rail brackets ERB57S.

As for a), but slide offset earth-rail brackets ERB57O into the upper slot in each mounting block before assembling the mounting blocks to the DIN rail. ERB57S brackets cannot be used because they obscure the mounting blocks' fixing screws.

### 3.5.2 Fitting tagging strips

Assemble mounting blocks IMB57 to the DIN rail as above. Cut TAG57 tagging strip and label to the length needed, and insert label so that the appropriate side is visible. Clip the strip onto the lugs on the mounting blocks. Hinge up the strip to provide access to the tops of the power supplies.

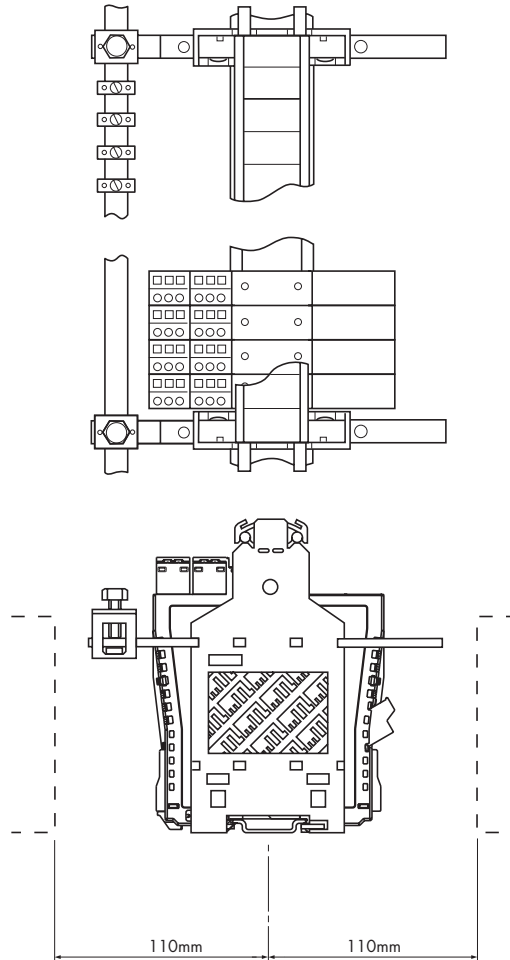
Note: If necessary, provide additional support for long lengths of tagging strip by installing an extra IMB57 mounting block mid-way between the end mounting blocks. Snap out the perforated extension between the lugs on this mounting block.

### 3.5.3 Completed assemblies

Figure 3.12 illustrates a complete assembly of MTL 9493-PS-XXX power supplies using the accessories mentioned above.

The broken-line boxes either side of the assembly represent cable trunking, and the accompanying dimensions represent the minimum spacing between trunking and assemblies.


**Figure 3.12:**  
MTL 9493-PS-XXX  
power supplies-  
complete assembly



## 4 BACKPLANE MOUNTING VARIANT

**PLEASE NOTE: The backplane mounting variant is only available by prior special arrangement. Please contact MTL product line to discuss.**

The alternative to DIN-rail mounting is to use a standard MTL backplane that accommodates 8 modules with 24V dc dual redundant power supplies. In applications where a number of backplanes are installed, the power supply can be interconnected. Optional earth-rail and tagging-strip kits are available for the backplanes.

|   |   |
|---|---|
| <br><b>WARNING</b> | <b>WARNING !</b>  |
|   | <p>If this module is to be connected to intrinsically safe apparatus, it must be installed, operated and maintained only by trained competent personnel and in accordance with all appropriate international, national and local standard codes of practice and site regulation and in accordance with the instructions contained here.</p> |


### 4.1 Accessories

Accessories are available that enable the user to mount the backplanes. These include surface-mounting kits, T-section and G-section DIN-rail mounting kits and end stops.

| MOUNTING KITS |                   |              | ACCESSORIES    |                   |                 |
|---------------|-------------------|--------------|----------------|-------------------|-----------------|
| Surface       | DIN-rail (T or G) | 19-inch rack | Earth-rail kit | Tagging strip kit | Spare fuse pack |
| SMS01         | DMK01             | –            | ERK08–         | TSK08             | FUS08           |

### 4.2 Protection of equipment

When the power supply is mounted in a safe area ensure that the local environment is clean and free of dirt and dust and note the ambient temperature considerations given in Section 5.

|   |   |
|---|---|
| <br><b>WARNING</b> | <b>WARNING !</b>  |
|   | <p>When mounted in a Zone 2 hazardous area the module <i>must</i> be protected by a suitably certified enclosure. See the <i>Special Conditions for Safe Use</i> provided in the ATEX Safety Instructions at the end of this manual for further details of operation in Zone 2 hazardous areas.</p> |

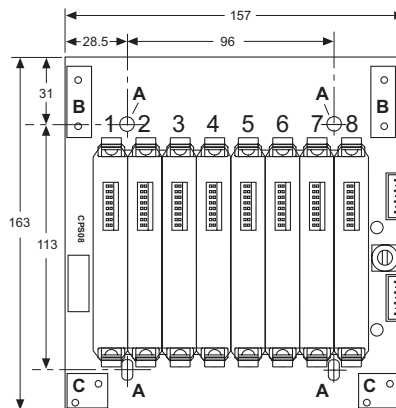
### 4.3 Backplane mounting

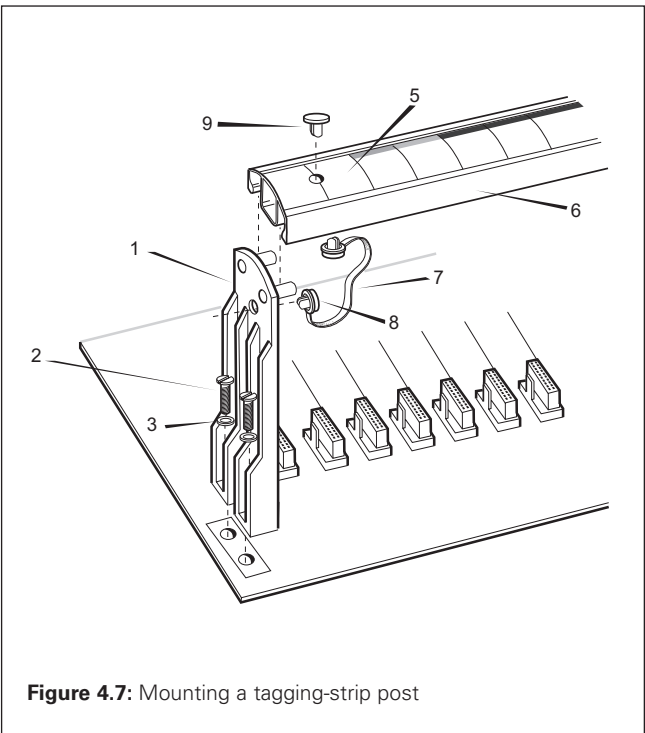
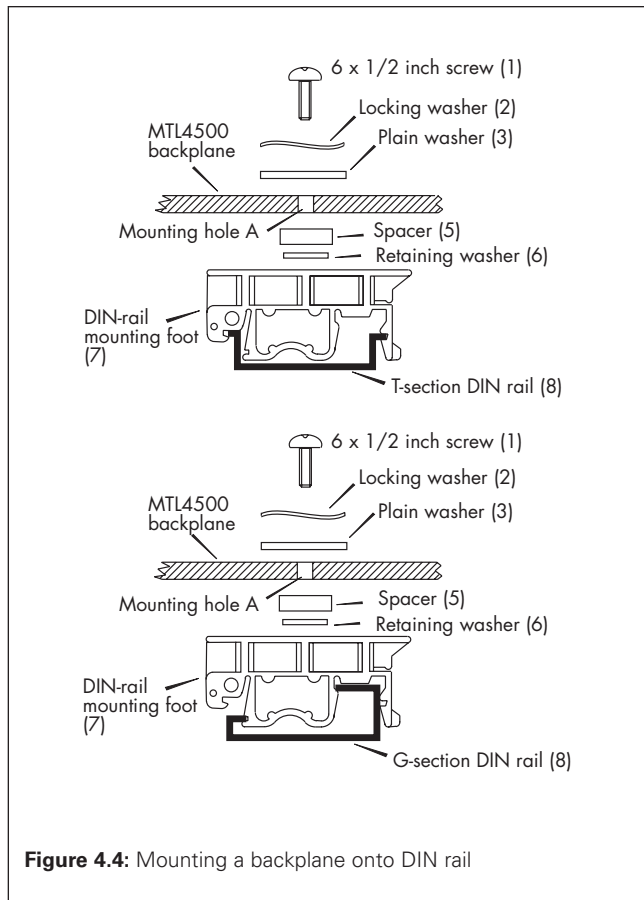
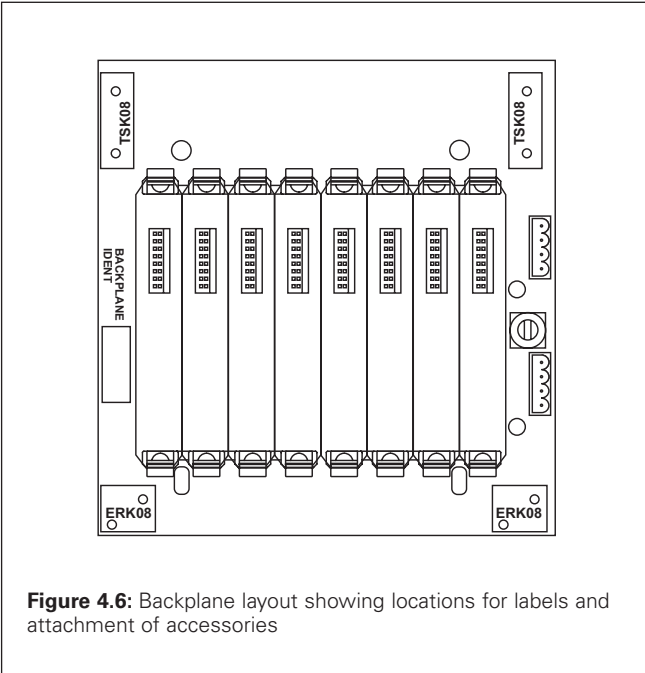
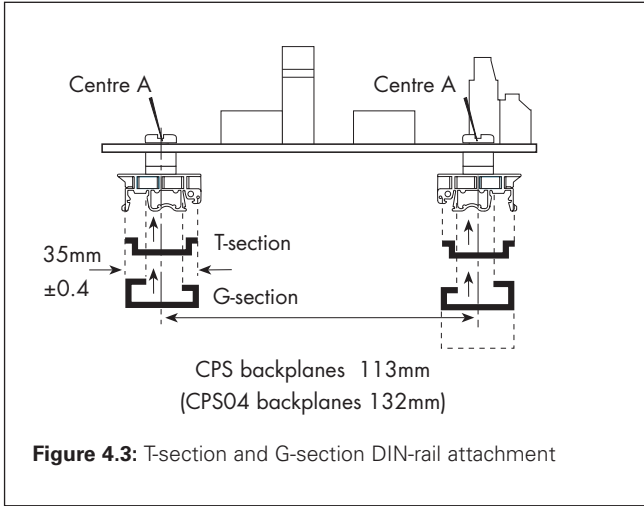
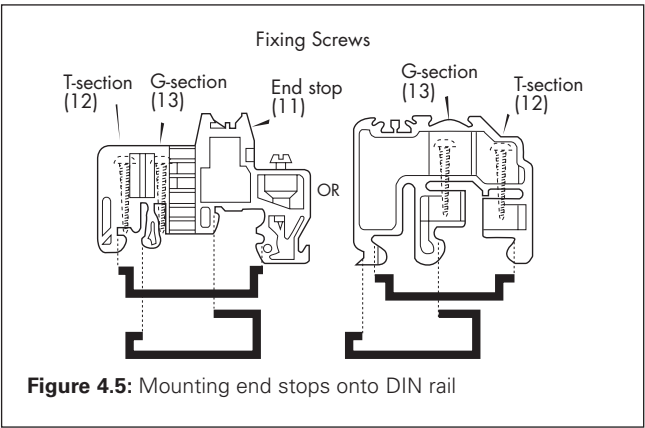
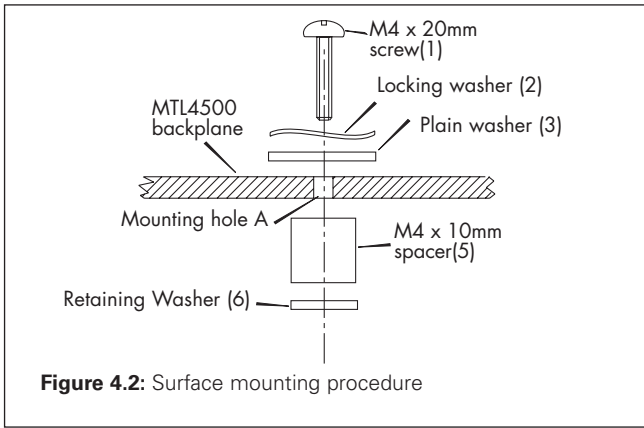
See the table for details of the kits and accessories applicable to the mounting methods and Figure 4.1 for dimensions and mounting centres.

**Note:** Before mounting a MTL 9493-PS-XXX on a backplane two minor modifications must be made.

1. Remove the DIN-rail mounting clip by compressing the small spring inside the clip with a screwdriver and then removing it; the clip may then be removed easily from its mounting.
2. Remove the power supply plug located in the side of the unit, then fit the small plastic plate supplied to cover the hole in the module case.

**Figure 4.1:**  
CPS08 backplane  
for MTL 9492-PS-PLUS  
modules





#### 4.3.1 Surface mounting – with kit SMS01

See Figures 4.1 and 4.2.

- a) Select four M4 x 20mm screws.
- b) Prepare holes in the surface at centres A, tapping these if retaining nuts are not required (Figure 4.1).
- c) Place a locking washer (2) and a plain washer (3) over each M4 x 20mm screw (1) (Figure 4.2).
- d) Insert the screws through the backplane at each mounting centre A (Figures 4.1 and 4.2).
- e) Fit M4 x 10mm spacers (5), retaining them with retaining washers (6) (Figure 4.2).
- f) Attach the assemblies into the pre-drilled surface holes at centres A, retaining the screws with a suitable nut if the holes are not tapped.

#### 4.3.2 T- or G-section DIN-rail mounting –with kit DMK01

See Figures 4.1, 4.3, 4.4 and 4.5.

- a) Select two pieces of T- or G-section DIN-rail of the appropriate length.
- b) Mount the two lengths of DIN-rail side-by-side at centres A, 113mm apart (Figure 4.1).
- c) Clip four mounting feet (7) to the DIN rail (8) at centres A (Figure 4.4).
- d) Select the appropriate number of No. 6 x 1/2-inch screws.
- e) Place a locking washer (2) and a plain washer (3) onto each No. 6 x 1/2-inch screw (1) (Figure 4.4).
- f) Insert the assemblies through the mounting holes A on the backplane (Figures 4.1 and 4.4).
- g) Fit spacers (5), retaining them with the washers (6) (Figure 4.4).
- h) Locate the assemblies over the mounting feet and attach the screws (1) to the feet (Figure 4.4).
- i) For backplanes that are mounted in a vertical orientation, attach one end stop (11) to the lower end of each DIN-rail supporting a column of backplanes by clipping the stops into place and tightening the appropriate screw [(12) for T-section and (13) for G-section DIN-rails] (Figure 4.5).
- j) Additional end stops should be attached between backplanes to increase the stability of tall columns of backplanes.

### 4.4 Backplanes – identification and tagging

Marked areas are provided for identifying backplanes. Mounting holes for earth-rail and tagging-strip attachments are similarly marked.

#### 4.4.1 Backplane identification labels

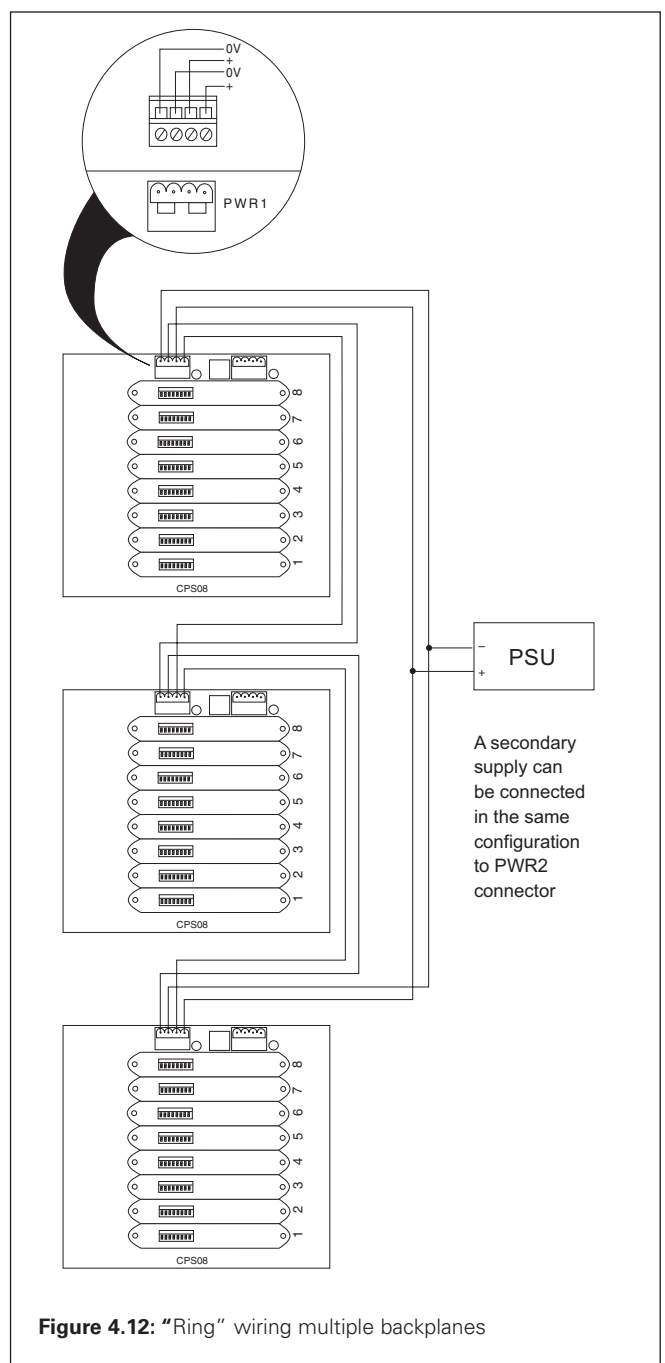
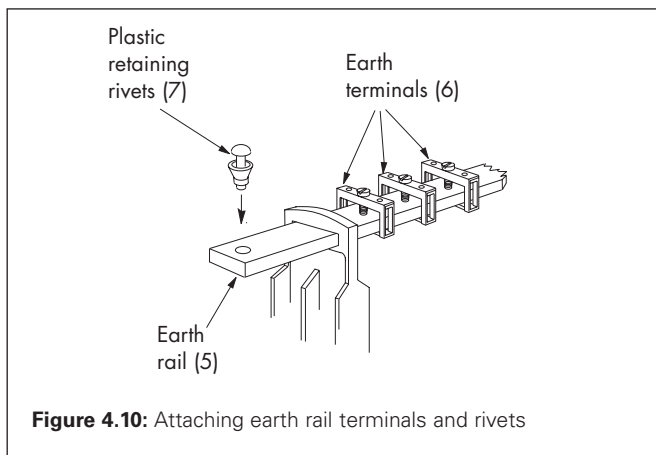
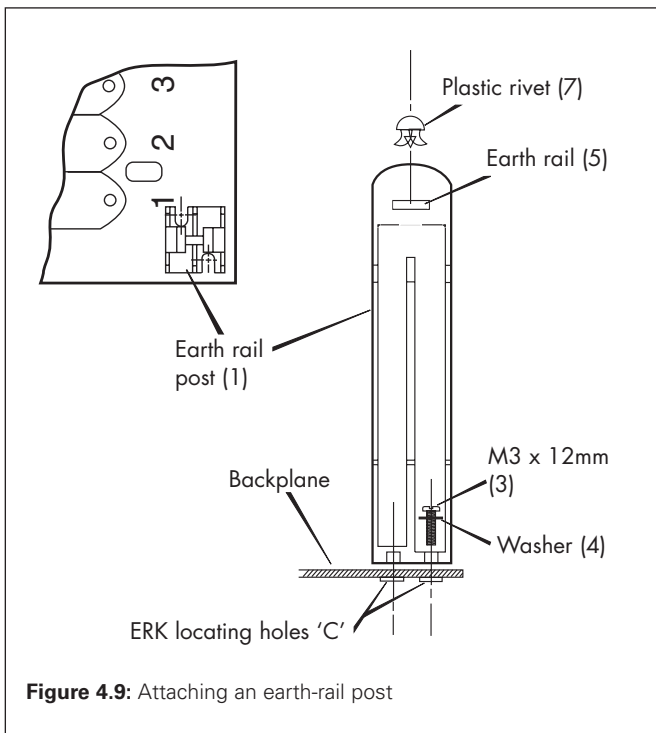
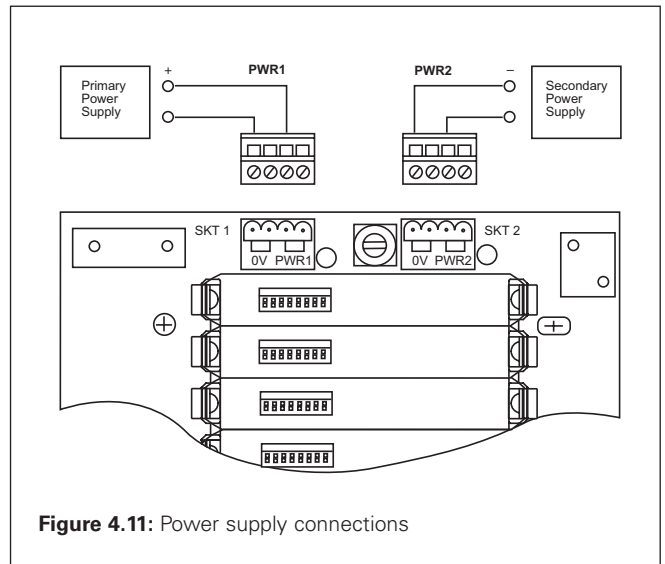
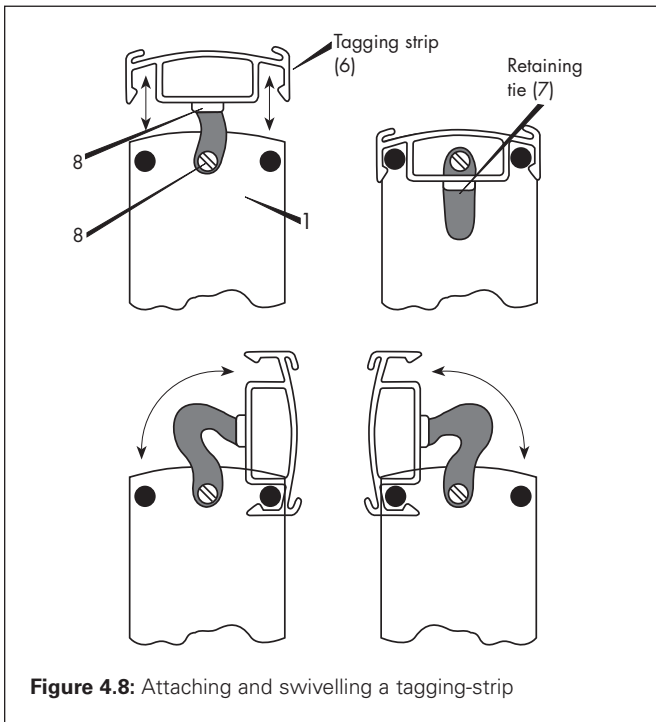
- a) Attach a suitably marked label to the area marked BACKPLANE IDENT. to identify an individual backplane. See Figure 4.6.

#### 4.4.2 Tagging strip mounting kit (TSK08)

See Figures 4.1, 4.9, 4.10 and 4.11.

- a) Locate the tagging strip mounting posts (1) at backplane centres B (Figure 4.1).
- b) Attach each mounting post (1) to the backplane with two M3 x 12mm mounting screws (2) and washers (3) (Figure 4.7).
- c) Slide the tag label (5) into the plastic holder (6) and retain with a plastic rivet (9) (Figure 4.7).
- d) Attach the plastic retaining tie (7) with two plastic rivets (8) (Figure 4.7).
- e) Clip the tag strip holder (6) onto the mounting posts (1) by pushing it downwards (Figure 4.8).
- f) If required, swivel the tagging strip vertically (Figure 4.9)





## 4.5 Backplanes - earth rails

Optional earth rails are available for backplanes (kit ERK08). Cable screens from hazardous-area circuits, or spare pairs from a multicore cable, are connected to the terminals on the earth rails, which are mounted on the backplane at about the same height as the front of the modules, close to the hazardous-area connectors. Earth rails are attached using the following procedure:-

### 4.5.1 Earth rail kit (ERK08)

See Figures 4.1, 4.9 and 4.10.

- a) Locate the earth rail mounting posts (1) at backplane centres C (Figures 4.1 and 4.9).
- b) Attach the mounting posts (1) with M3 x 12 screws (3) and washers (4) (Figure 4.9).
- c) Slide the earth rail (5) through the slots in the of the mounting posts (1) (Figure 4.10).
- d) Fit the earth terminal(s) (6) on the rail (5) (Figure 4.10).
- e) Attach plastic retaining rivets (7) to each end of the earth rail (5) (Figure 4.10).

## 4.6 Backplanes – power supply connections

### 4.6.1 Single backplane

Dual 24V power supplies, to provide redundancy, are routed to the backplane by plug-in connectors and then bussed by the backplane to individual power supply modules. LEDs on the backplane indicate that the two supplies are operational. A diode circuit between the two ensures that the highest voltage supply is the one in use at any given moment, so providing automatic switchover of supplies if the primary source fails. The procedure for connecting power supplies is:-

- a) Connect each of the two 21V to 35V dc power supply connectors to the independent supply sources according to the terminal assignments shown in Figure 4.11. The maximum permissible wire size is 2.5mm<sup>2</sup> (14 AWG).
- b) Plug the power supply connectors into the base connectors on the backplanes.
- c) The rating for the fuse located between the two supply connectors on the backplanes is 1A.

### 4.6.2 Interconnection of power supplies for multiple backplanes

Power supplies for backplanes can be interconnected in the form of a ring. This will reduce wiring and also permit individual backplanes to be taken out of service without affecting supplies to other backplanes. More than one backplane can be removed, provided that they are neighbours and do not leave any other backplanes without an active supply.

- a) Make the connections shown in Figure 4.12.

*Wire sizes up to 2.5mm<sup>2</sup> (14 AWG) can be used and should be chosen according to load and voltage drop.*

## 4.7 Fitting MTL 9493-PS-XXX modules to backplane



### WARNING !

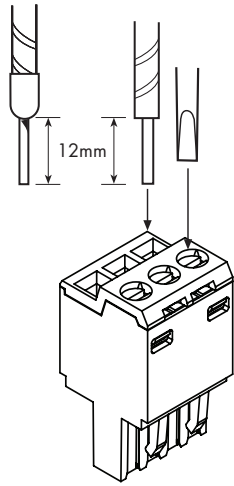
When installing MTL 9492-PS-PLUS power supply modules it is essential to make sure that intrinsically safe and non-intrinsically safe wiring is segregated as required by a nationally accepted authority or as described in BS EN 60079-14, ISA RP 12.6 or DIN VDE-165.

### 4.7.1 Installation - Figure 4.15

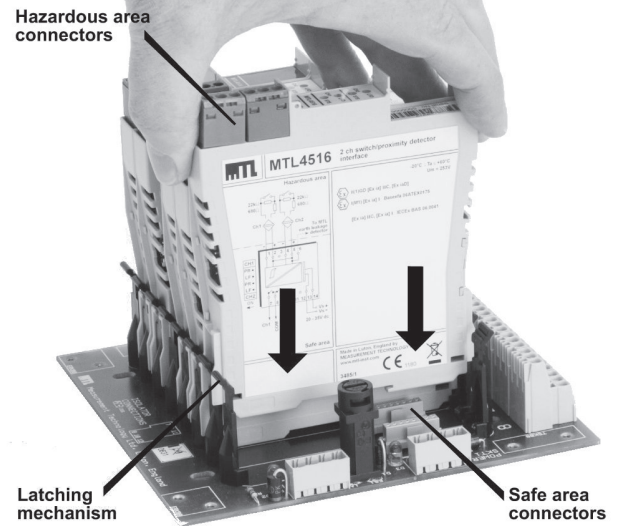
- a) Trim insulation to suit bare or ferrule wire end (Figure 4.13)
- b) Terminate IS power wiring on blue connector(s).
- c) Mount interface unit on the backplane.
- d) Locate input bulk power connector(s) on backplane safe-area/power supply connector(s).

### 4.7.2 Module removal - Figure 4.16

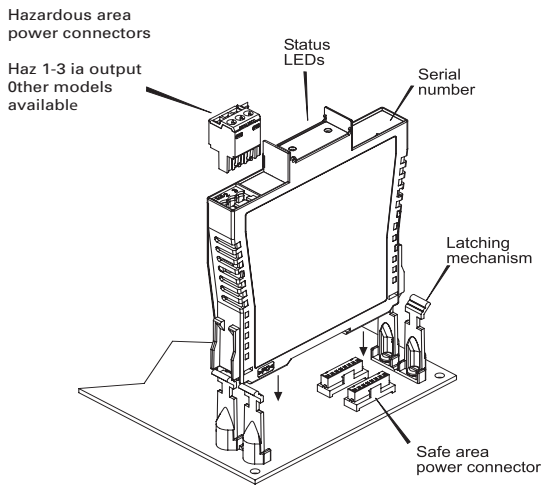
- a) Unclip the latch nearest the CE mark on the module label.
- b) Rotate the module away from this latch.
- c) When the module is unplugged from the power connector, move the module clear of the other latch and remove.



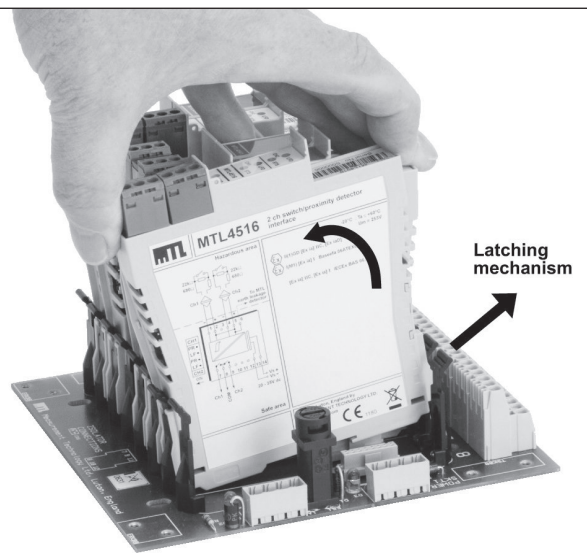
**Figure 4.13:** Wiring hazardous-area power output plugs



**Figure 4.15:** Fitting power supplies to backplane



**Figure 4.14:** Key elements of the MTL 9493-PS-XXX power supply



**Figure 4.16:** Removing power supplies from backplane

## 5 ENVIRONMENTAL

|                       |                            |
|-----------------------|----------------------------|
| Operating Temperature | -40°C...+70°C              |
| Storage Temperature   | -40°C...+70°C              |
| Humidity              | 5...95% RH, non condensing |

## 6 WASTE REMOVAL INFORMATION



The electronic equipment within must not be treated as general waste. By ensuring that this product is disposed of correctly you will be helping to prevent potentially negative consequences for the environment and human health, which could otherwise be caused by incorrect waste handling of this product.

For more detailed information about the take-back and recycling contact **MTL**.

## 7 APPROVALS

The operating parameters must not exceed those as detailed on the certificate.

- 2004/108/EC EMC Directive
- 2006/95/EC Low Voltage Directive

| Region       | Europe (ATEX)   | International IECEx   |
|--------------|---|---|
| Authority    | CML   | CML   |
| Standard     | EN 60079-0:2012<br>EN 60079-11:2012<br>EN 60079-26:2006   | IEC 60079-0:2011<br>IEC 60079-11:2011<br>IEC 60079-26:2006*   |
| Approved for | ⊕ II (1) GD,<br>[Ex ia Ga] IIA, or<br>[Ex ia Ga] IIB, or<br>[Ex ia Ga] IIC, as applicable<br>[Ex ia Da] IIIC<br>⊕ I (M1)<br>[Ex ia Ma] I<br>Ta = -40°C to +70°C | [Ex ia Ga] IIA, or<br>[Ex ia Ga] IIB, or<br>[Ex ia Ga] IIC, as applicable<br>[Ex ia Da] IIIC<br>[Ex ia Ma] I<br>Ta = -40°C to +70°C |
| Cert. no.    | CML 15ATEX2071X   | IECEX CML 15.0034X  |
| Standard     | EN 60079-0:2012<br>EN 60079-15:2010   | IEC 60079-0:2011<br>IEC 60079-15:2010   |
| Approved for | ⊕ II 3 G, 3(1)G<br>Ex nA IIA T4 Gc, or<br>Ex nA IIB T4 Gc, or<br>Ex nA IIC T4 Gc, as applicable<br>(Ta = -40°C to +70°C)  | Ex nA IIA T4 Gc, or<br>Ex nA IIB T4 Gc, or<br>Ex nA IIC T4 Gc, as applicable<br>(Ta = -40°C to +70°C)                               |
| Cert. no.    | CML 15ATEX4072X   | IECEX CML 15.0034X  |

\* (for guidance on marking)

### Notes

1. Terminals 1 and 3

## 8 ATEX & IECEx CERTIFICATION INFORMATION

The following information is in accordance with the Essential Health and Safety Requirements (Annex II) of the EU Directive 94/9/EC [the ATEX Directive- safety of apparatus] and is provided for those locations where the ATEX Directive is applicable.

### **General**

- a) This equipment must only be installed, operated and maintained by competent personnel. Such personnel shall have undergone training, which included instruction on the various types of protection and installation practices, the relevant rules and regulations, and on the general principles of area classification. Appropriate refresher training shall be given on a regular basis. [See clause 4.2 of EN 60079-17].
- b) This equipment has been designed to provide protection against all the relevant additional hazards referred to in Annex II of the directive, such as those in clause 1.2.7. This equipment has been designed to meet the requirements of intrinsically safe electrical apparatus in accordance with EN 60079-0, EN 60079-11, EN 60079-15 and EN 60079-26.

### **Installation**

- a) reference to the IEC code of practice IEC 60079-14. In addition, particular industries or end users may have specific requirements relating to the safety of their installations and these requirements should also be met. For the majority of installations the Directive 1999/92/EC [the ATEX Directive- safety of installations] is also applicable.
- b) Unless already protected by design, this equipment must be protected by a suitable enclosure against:
  - i) mechanical and thermal stresses in excess of those noted in the certification documentation and the product specification.
  - ii) aggressive substances, excessive dust, moisture and other contaminants.
- c) This apparatus is intrinsically safe electrical apparatus and is normally mounted in a safe area. When mounted in a Zone 2 location the apparatus must be provided with an enclosure, which offers an additional degree of protection appropriate to the area classification.

### **Special conditions for safe use (when mounted in a Zone 2 hazardous area)**

- a) If the equipment is installed in a zone 2 hazardous area, it shall be housed in an enclosure that is coded Ex nA, Ex e, Ex d or Ex p, suitable for operating temperatures of -40°C to +135°C and providing an ingress protection of IP54 minimum. For some types of enclosure, additional certification will be required to permit the installation of the module within the enclosure. Reference should be made to the enclosure certificate. The installer shall ensure that the maximum ambient temperature of the module when installed is not exceeded.
- b) When the device is mounted in a zoned area, connection and disconnection of the modules input supply voltage while live is only permitted if the potentially explosive atmosphere is shown to be absent.

### **Inspection and maintenance**

- a) Inspection and maintenance should be carried out in accordance with European, national and local regulations which may refer to the IEC standard IEC 60079-17. In addition specific industries or end users may have specific requirements which should also be met.
- b) Access to the internal circuitry must not be made during operation.

### **Repair**

This product cannot be repaired by the user and must be replaced with an equivalent certified product.







### **Marking**

*continued on next page*

Each device is marked in accordance with the Directive and CE marked with the Notified Body Identification Number.

This information applies to products manufactured during or after the year 2010.

**Figure 8.1**  
**MTL 9493-PS-XXX**  
**product label**

|  |  |   |  |
|--|--|---|--|
| <b>EATON</b>   |  | <b>CROUSE-HINDS</b><br>SERIES   |  |
| <b>9493-PS-C5</b><br><b>MTL 5VDC IS Power Supply Module</b>        |  |   |  |
| Nominal IS Output<br><b>5V 180mA 'ia'</b>                          |  | Ta = -40°C to +70°C<br>Um = 250V  |  |
| Supply Input 24VDC (20-30V) 70mA                                   |  |   |  |
| <b>Hazardous Area Output Terminals</b>                             |  | <b>CML 15ATEX2071X</b><br><b>CML 15ATEX4072X</b><br><b>IECEx CML 15.0034X</b>   |  |
| 1 = +5V 'ia'   |  | [Ex ia Ma] I  |  |
| 2 = n.c.   |  | [Ex ia Ga] IIC  |  |
| 3 = 0V   |  | [Ex ia Da] IIIC   |  |
|  |  | Ex nA IIC T4 Gc   |  |
|  |  |  I (M1)  |  |
|  |  |  II (1)GD  |  |
|  |  |  II 3 G, 3(1)G   |  |
| <b>Safe Area Input Terminals</b>                                   |  |   |  |
| 13 = 0V <sub>in</sub>  |  |   |  |
| 14 = +24V <sub>in</sub><br>(or via Backplane)                      |  |   |  |
| <b>DO NOT SEPARATE INPUT OR BACKPLANE CONNECTOR WHEN ENERGISED</b> |  |   |  |
| Part No. 9493-PS-C5  |  | Made in Derbyshire, England. DE11 9EU<br><b>Controlled Systems Limited</b><br><a href="http://www.controlledsystemsLtd.co.uk">www.controlledsystemsLtd.co.uk</a>  |  |
| Serial No. YY/XXXX   |  | 4641/1<br>  0518  |  |



CROUSE-HINDS  
SERIES

## EC Declaration of Conformity

### 94XX Intrinsically Safe Ethernet Products

Document No. MTL14DOC9400

Issue No. 4

We declare under our sole responsibility that the product(s) listed below, to which this declaration relates, conform with the requirements of the Directives below by compliance with the standards listed.

**EMC Directive - Council Directive 2004/108/EC to 19 April 2016 and 2014/30/EU from 20 April 2016** relating to Electromagnetic Compatibility.

- a. EN 61326-1:2013 Class A equipment. Table 2 – Industrial locations

**Low Voltage Directive - Council Directive 2006/95/EC to 19 April 2016 and 2014/35/EU from 20 April 2016** relating to Product Safety.

- b. EN 61010-1:2010

**ATEX Directive - Council Directive 94/9/EC to 19 April 2016 and 2014/34/EU from 20 April 2016** relating to equipment and protective systems intended for use in potentially explosive atmospheres.

- |                      |                      |
|----------------------|----------------------|
| c. EN 60079-0:2012†  | h. EN 60079-26:2015† |
| d. EN 60079-0:2012   | i. EN 60079-26:2015  |
| e. EN 60079-11:2012† | j. EN 60079-28:2007  |
| f. EN 60079-11:2012  | k. EN 50303:2000     |
| g. EN 60079-15:2010  |                      |

† Where products were initially assessed for compliance with the Essential Health and Safety Requirements of the Directive using earlier harmonised standards, a subsequent review has determined that compliance is unaffected by the current harmonised standard(s) listed above.

**R&TTE Directive - Council Directive 1999/5/EC to 19 April 2016 and 2014/34/EU from 20 April 2016** relating to radio and telecommunications terminal equipment.

- l. EN 300 328 V.1.8.1 [2012-04]  
m. EN 301 893 V.1.7.1 [2012-06]

  
Stewart Parfitt  
Engineering Director  
26 January 2016

**Measurement Technology Limited**  
Luton, Bedfordshire, UK, LU2 8DL  
Telephone +44 1582 723633  
Fax +44 1582 422283  
Email enquiry@mtl-inst.com  
Website www.mtl-inst.com

DECLARATION OF CONFORMITY - continued

Products covered by this declaration:

| Product      | Description                             | EMC <sup>1</sup><br>Standards | LVD <sup>1</sup><br>Standards | CE mark<br>applied | ATEX <sup>1</sup><br>Standards | ATEX <sup>2</sup><br>Marking | R&TTE <sup>1</sup><br>Standards | Cat1/Cat2<br>ATEX Cert. No. | Cat3<br>ATEX Cert. No. |
|--------------|---|-------------------------------|-------------------------------|--------------------|--------------------------------|------------------------------|---------------------------------|-----------------------------|------------------------|
| 9461-ET      | Serial to Ethernet Gateway              | a                             | b                             | 2008               | c, e, h, j, k                  | 3                            | N/A                             | Sira07ATEX2064X             | None                   |
| 9465-ET-M-SC | 10/100 Media Converter (Multi-Mode SC)  | a                             | b                             | 2008               | c, e, h, j, k                  | 4                            | N/A                             | Sira07ATEX2064X             | None                   |
| 9465-ET-M-ST | 10/100 Media Converter (Multi-Mode ST)  | a                             | b                             | 2008               | c, e, h, j, k                  | 4                            | N/A                             | Sira07ATEX2064X             | None                   |
| 9465-ET-S-SC | 10/100 Media Converter (Single-Mode SC) | a                             | b                             | 2008               | c, e, h, j, k                  | 4                            | N/A                             | Sira07ATEX2064X             | None                   |
| 9466-ET      | 10/100 Managed Ethernet Switch          | a                             | b                             | 2008               | c, e, h, j, k                  | 3                            | N/A                             | Sira07ATEX2065              | Sira08ATEX4310X        |
| 9468-ET      | 10/100 Ethernet Isolator                | a                             | b                             | 2008               | c, e, h, j                     | 5                            | N/A                             | Sira07ATEX2065              | None                   |
| 9469-ET      | 108Mbps Wireless AP/Bridge              | a                             | b                             | 2008               | c, e, h, j, k                  | 6                            | I, m                            | Sira07ATEX2064X             | None                   |
| 9469-ETplus  | 108Mbps Wireless AP/Bridge              | a                             | b                             | 2008               | c, e, h, j, k                  | 6                            | I, m                            | Sira07ATEX2064X             | None                   |
| 9491-PS      | 12Vdc IS Power Supply                   | a                             | b                             | 2008               | d, f, g, i                     | 7                            | N/A                             | CML15ATEX2071X              | CML15ATEX4072X         |
| 9492-PS-PLUS | 12Vdc IS Power Supply                   | a                             | b                             | 2015               | d, f, g, i                     | 7                            | N/A                             | CML15ATEX2071X              | CML15ATEX4072X         |
| 9493-PS-XXX  | 12Vdc IS Power Supply                   | a                             | b                             | 2015               | d, f, g, i                     | 8                            | N/A                             | CML15ATEX2071X              | CML15ATEX4072X         |

Notes:

- Entries in this column may be either letter notation (a,b,c etc..) indicating which standards from page 1 apply, or N/A if the directive does not apply
- Entries in this column refer to notes below indicating ATEX markings present on products, or N/A if the directive does not apply
- ATEX marking  $\text{Ex}$  I M1 II 1GD, Ma Ex ia I, Ga Ex ia IIC T4, Ex iaD 20 T135°C (Ta = -40°C to +70°C)
- ATEX marking  $\text{Ex}$  I M1 II 1GD, Ma Ex ia I, Ma Ex ia op is I, Ga Ex ia IIC T4, Ga Ex ia op is IIC T4, Ex iaD 20 T135°C (Ta = -40°C to +70°C)
- ATEX marking  $\text{Ex}$  II (1) GD  $\text{Ex}$  I (M1) (Ga) [Ex ia] IIC [Ex iaD] (Ma) [Ex ia] I (Ta = -40°C to +70°C)  
 $\text{Ex}$  II 3 G Ex ic (ia) IIC T4 Gc (Ta=-40°C to +70°C)
- ATEX marking  $\text{Ex}$  I M1 II 1GD, Ma Ex ia I, Ga Ex ia IIC T4, Ex iaD 20 T135°C (Ta = -40°C to +60°C)
- ATEX marking  $\text{Ex}$  II (1), (2) G [Ex ia Ga] II\*, [Ex ib Gb] IIB Ta=-40°C to +70°C  $\text{Ex}$  II (1), (2) D [Ex ia Da] IIIC, [Ex ib Db] IIIC Ta=-40°C to +70°C  
 $\text{Ex}$  I (M1), (M2) [Ex ia Ma] I, [Ex ib Mb] I Ta=-40°C to +70°C  $\text{Ex}$  II 3 G Ex nA IIB T4 (Ta=0°C to +70°C)
- ATEX marking  $\text{Ex}$  II (1) G [Ex ia Ga] II\* Ta=-40°C to +70°C  $\text{Ex}$  II (1) D [Ex ia Da] IIIC Ta=-40°C to +70°C  
 $\text{Ex}$  I (M1) [Ex ia Ma] I Ta=-40°C to +70°C  $\text{Ex}$  II 3 G Ex nA II\* T4 Gc Ta=-40°C to +70°C

Notified Bodies responsible for issuing Cat 1 or 2 ATEX Certificates:

0518 SIRA Certification Service, Chester, CH4 9JN. United Kingdom  
 2503 CML, Ellesmere Port, CH65 4LZ. United Kingdom

Notified Body responsible for ATEX QA regimes:

0518 SIRA Certification Service, Chester, CH4 9JN. United Kingdom  
 1180 SGS Baseefa, Buxton, SK17 9RZ. United Kingdom



This page left intentionally blank

This page left intentionally blank

This page left intentionally blank

## AUSTRALIA

MTL Instruments Pty Ltd,  
10 Kent Road, Mascot, New South Wales, 2020, Australia  
Tel: +61 1300 308 374 Fax: +61 1300 308 463  
E-mail: mtl-salesanz@eaton.com

## BeNeLux

MTL Instruments BV  
Terheijdensweg 465, 4825 BK Breda  
The Netherlands  
Tel: +31 (0) 76 7505360 Fax: +31 (0) 76 7505370  
E-mail: mtl.benelux@eaton.com

## CHINA

Cooper Electric (Shanghai) Co. Ltd  
955 Shengli Road, Heqing Industrial Park  
Pudong New Area, Shanghai 201201  
Tel: +86 21 2899 3817 Fax: +86 21 2899 3992  
E-mail: mtl-cn@eaton.com

## FRANCE

MTL Instruments sarl,  
7 rue des Rosieristes, 69410 Champagne au Mont d'Or  
France  
Tel: +33 (0)4 37 46 16 53 Fax: +33 (0)4 37 46 17 20  
E-mail: mtlfrance@eaton.com

## GERMANY

MTL Instruments GmbH,  
Heinrich-Hertz-Str. 12, 50170 Kerpen, Germany  
Tel: +49 (0)22 73 98 12-0 Fax: +49 (0)22 73 98 12-2 00  
E-mail: mtlgmbh@eaton.com

## INDIA

MTL India,  
No.36, Nehru Street, Off Old Mahabalipuram Road  
Sholinganallur, Chennai- 600 119, India  
Tel: +91 (0) 44 24501660 /24501857 Fax: +91 (0) 44 24501463  
E-mail: mtlindiasales@eaton.com

## ITALY

MTL Italia srl,  
Via San Bovio, 3, 20090 Segrate, Milano, Italy  
Tel: +39 02 959501 Fax: +39 02 95950759  
E-mail: chmninfo@eaton.com

## JAPAN

Cooper Crouse-Hinds Japan KK,  
MT Building 3F, 2-7-5 Shiba Daimon, Minato-ku,  
Tokyo, Japan 105-0012  
Tel: +81 (0)3 6430 3128 Fax: +81 (0)3 6430 3129  
E-mail: mtl-jp@eaton.com

## NORWAY

Norex AS  
Fekjan 7c, Postboks 147,  
N-1378 Nesbru, Norway  
Tel: +47 66 77 43 80 Fax: +47 66 84 55 33  
E-mail: info@norex.no

## RUSSIA

Cooper Industries Russia LLC  
Elektrozavodskaya Str 33  
Building 4  
Moscow 107076, Russia  
Tel: +7 (495) 981 3770 Fax: +7 (495) 981 3771  
E-mail: mtlrussia@eaton.com

## SINGAPORE

Cooper Crouse-Hinds Pte Ltd  
No 2 Serangoon North Avenue 5, #06-01 Fu Yu Building  
Singapore 554911  
Tel: +65 6 645 9888 Fax: +65 6 487 7997  
E-mail: sales.mtlsing@eaton.com

## SOUTH KOREA

Cooper Crouse-Hinds Korea  
7F, Parkland Building 237-11 Nonhyun-dong Gangnam-gu,  
Seoul 135-546, South Korea.  
Tel: +82 6380 4805 Fax: +82 6380 4839  
E-mail: mtl-korea@eaton.com

## UNITED ARAB EMIRATES

Cooper Industries/Eaton Corporation  
Office 205/206, 2nd Floor SJ Towers, off. Old Airport Road,  
Abu Dhabi, United Arab Emirates  
Tel: +971 2 44 66 840 Fax: +971 2 44 66 841  
E-mail: mtlgulf@eaton.com

## UNITED KINGDOM

Measurement Technology Limited,  
Great Marlings, Butterfield, Luton  
Beds LU2 8DL  
Tel: +44 (0)1582 723633 Fax: +44 (0)1582 422283  
E-mail: mtlenquiry@eaton.com

## AMERICAS

Cooper Crouse-Hinds MTL Inc.  
3413 N. Sam Houston Parkway W.  
Suite 200, Houston TX 77086, USA  
Tel: +1 281-571-8065 Fax: +1 281-571-8069  
E-mail: mtl-us-info@eaton.com

## Measurement Technology Limited,

Great Marlings, Butterfield, Luton  
Beds, LU2 8DL, UK.  
Tel: + 44 (0)1582 723633 Fax: + 44 (0)1582 422283  
E-mail: mtlenquiry@eaton.com  
www.mtl-inst.com

© 2016 MTL  
All Rights Reserved  
Publication No. INM 9493-PS-XXX 030216  
February 2016

## EUROPE (EMEA):

+44 (0)1582 723633  
mtlenquiry@eaton.com

## THE AMERICAS:

+1 800 835 7075  
mtl-us-info@eaton.com

## ASIA-PACIFIC:

+65 6 645 9888  
sales.mtlsing@eaton.com

The given data is only intended as a product description and should not be regarded as a legal warranty of properties or guarantee. In the interest of further technical developments, we reserve the right to make design changes.