



F880

redundant fieldbus power for Yokogawa CENTUM 3000 R3 Control System

- Integrated redundant fieldbus power for ALF111 FOUNDATION™ fieldbus cards
- 8-segment redundancy
- High-density, compact design
- Fully isolated
- Hot swappable power modules*
- Low power dissipation
- Zero component carrier
- On-line diagnostics option
- Redundant power & conditioning
- Vertical DIN-rail mounting
- F801 output 21.5V, 350mA
- F802 output 28V, 500mA



The **F880 fieldbus power system** is designed to provide redundant power for eight FOUNDATION™ fieldbus H1 segments when used with Yokogawa ALF111 fieldbus cards. The F880 module carrier has system connectors for direct connection to two redundant pairs of fieldbus cards using Yokogawa AKB336 cables.

Power for the fieldbus segments is provided by two power modules - F801s or F802s - operating in a redundant configuration (load sharing). Failure alarms, galvanic isolation, power conditioning and segment termination are incorporated into each F80x module. In simplex applications, a single F80x module may be used. Termination of the fieldbus segments is automatically maintained when single or redundant F80x modules are fitted.

For extreme reliability, the module carrier has no components and only provides interconnections between the power modules and external connections. It is supported in a rigid metal frame that protects the circuit board from mechanical damage. Secure DIN-rail mounting is provided by integrated fixings.

Each F80x module monitors the output of the eight fieldbus segments and indicates an alarm, by means of a built-in, normally closed relay, if any of the segments is shorted or below the minimum output voltage threshold. Failure of either of the bulk power input supplies is also annunciated. The alarm contacts are volt-free and galvanically isolated from other circuitry. Connections to the alarm relays are made via terminals on the F880-Cx carrier. A separate alarm module is not required for this function. LED indicators also show the status of each F80x module and the eight individual segments. In normal operation, each segment LED is lit, showing that the segment is powered. If a segment is shorted, this LED is extinguished, and the module Alarm LED is lit.

A separate physical layer diagnostics module may be installed on the carrier to automatically collect and distribute additional diagnostic information for each of the eight fieldbus segments. For more information see the F809F product specification.

The F80x module provides galvanic isolation between the 24V DC input

power and the fieldbus segments, as required by the IEC61158-2 fieldbus standard and the Fieldbus Foundation™ FF-831 validation test for fieldbus power supplies. There is also galvanic isolation between the fieldbus segments, thereby preventing multiple segment failures due to ground faults on more than one segment. Each segment has its own fieldbus power conditioner and current limitation.

Redundant 24V DC (nom.) input power is connected to the F880 carrier using two-part pluggable connectors. Field wiring connections are available with either pluggable screw terminals (F880-xS) or pluggable spring clamp terminals (F880-xC).

Three variants of carriers are available in the F880 family. The F880-CA-Px carrier provides terminal numbering and consistent connector polarity. Where two columns of F880-CA-Px are installed in a cabinet the carrier is rotated by 180 degrees for installation in the second column. Alternatively, if there is a requirement for cabinet wiring to be symmetrical, there are lefthand (F880-CL-Px) and righthand (F880-CR-Px) versions.

* Gas clearance certificate needed in Zone 2 hazardous areas

FOUNDATION™ fieldbus is a trademark of Fieldbus Foundation™, Austin, Texas.

SPECIFICATION

Location of equipment

Safe area,
Class I Div 2 Groups ABCD T4 or
Class I Zone 2 IIC T4

INPUT	F801	F802
Input voltage (DC)	19.2 - 30.0V	19.2 - 30.0V
Current consumption (24V input, all outputs fully loaded)	3.5A*	6A*
Total Power dissipation (24V input, all outputs fully loaded)	20W*	24W*

* Redundant operation

OUTPUT	F801	F802
Number of channels	Eight (8)	Eight (8)
Voltage (DC)	21.5V - 24.0V	28.0V - 30.0V
Design current (per segment)	0 to 350mA	0 to 500mA
Current limit	> 370mA	> 520mA
Minimum load	0mA	0mA

Isolation

Fieldbus to input power: 250V AC rms withstand
Segment to segment: 200V DC withstand

ALARMS

Alarm contact rating

1A maximum @ 30V DC maximum

Alarm contact status

Normally closed

Alarm threshold

	F801	F802
Segment output	<19V DC	<24V DC

ELECTRICAL CONNECTIONS

System connectors

Host 1A, Host 1B, Host 2A, Host 2B via AKB336 cables to ALF111 modules

Field, Power & Alarm terminals

Pluggable rising cage-clamp screw terminals (-PS)
Conductor size: 0.14 to 2.5 mm²
Pluggable spring-clamp screw terminals (-PC)
Conductor size: 0.2 to 2.5 mm²

Diagnostics and ground terminals

Fixed screw terminal connector 0.14 to 2.5 mm²

Cable screen ground connections (version D.0 or higher)

User-selectable jumper for segment shields: isolated (default) or interconnected and ground connection

Terminators

A single termination is provided automatically when using either 1 or 2 power modules

ENVIRONMENTAL

Ambient temperature	F801	F802
Operating (full load)	-40°C to +65°C	-40°C to +50°C
Operating (60% load)	-40°C to +65°C	-40°C to +65°C
Storage	-40°C to +85°C	-40°C to +85°C

Note: Temperature range applies only when mounted on a vertical DIN rail.

Ingress protection

IP20 to BS EN60529 (Additional protection by use of enclosure)

MECHANICAL

Mounting method

Integrated fixings for 'Top hat' DIN rail, 35mm x 7.5mm to EN50022

Weights

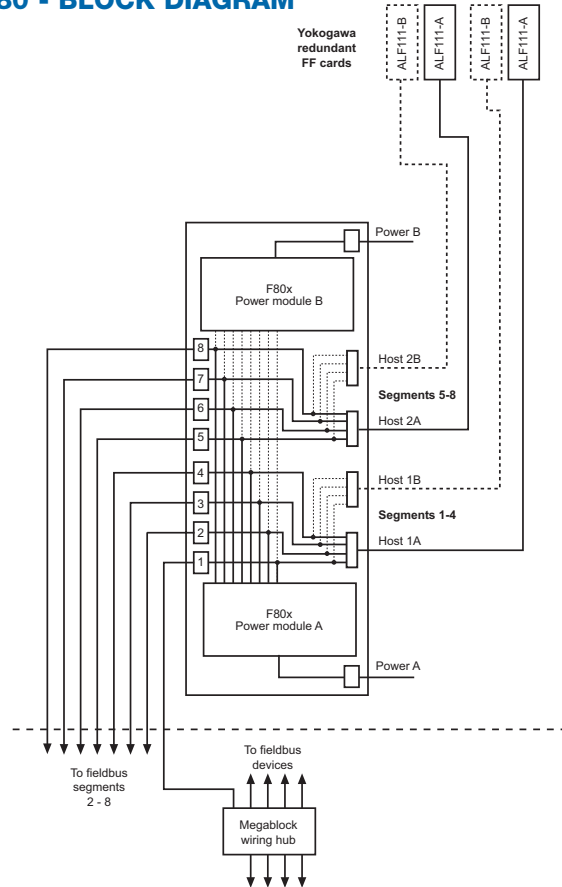
F801:	1.45kg
F802:	1.50kg
F880-C*-P*:	0.92kg

ELECTRICAL

EMC Compliance

To EN61326:1998 Electrical equipment for measurement, control and laboratory use - EMC requirements.

F880 - BLOCK DIAGRAM



The above diagram shows a block diagram of how the F880 is wired. Note that the Chassis Ground and Alarm connection are not shown. The Diagnostic module is also not shown (see the F809F product specification). For detailed wiring information see the Installation Instructions for the F880 (Document number 502-089).

PHYSICAL NETWORKS

IEC61158-2
ISA-S50.02 Part 2-1992
FOUNDATION™ fieldbus H1
Profibus PA

ORDERING INFORMATION

DESCRIPTION

Carrier, unpopulated
Left hand carrier, unpopulated
Right hand carrier, unpopulated

PART NO.

F880-CA-P*
F880-CL-P*
F880-CR-P*

8-segment power module: 21.5V, 350mA	F801
8-segment power module: 28V, 500mA	F802

Blanking modules included with -NR systems F800-BLK

Fieldbus diagnostic module F809F

F880-CA-P* and two F80x modules	with F801	with F802
F880-CL-P* and two F80x modules	F880-P*	F880-2-P*
F880-CR-P* and two F80x modules	F880-L*	F880-2-L*
	F880-R*	F880-2-R*

F880-CA-P* and one F80x module	F880-P*-NR	F880-2-P*-NR
F880-CL-P* and one F80x module	F880-L*-NR	F880-2-L*-NR
F880-CR-P* and one F80x module	F880-R*-NR	F880-2-R*-NR

* = S or C S = Pluggable Screw Terminal Connectors
C = Pluggable Spring Clamp Connectors

The given data is only intended as a product description and should not be regarded as a legal warranty of properties or guarantee. In the interest of further technical developments, we reserve the right to make design changes.



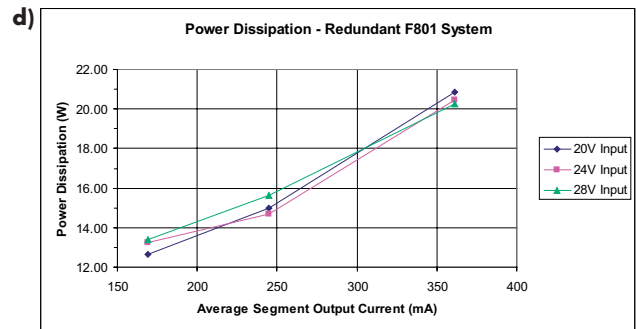
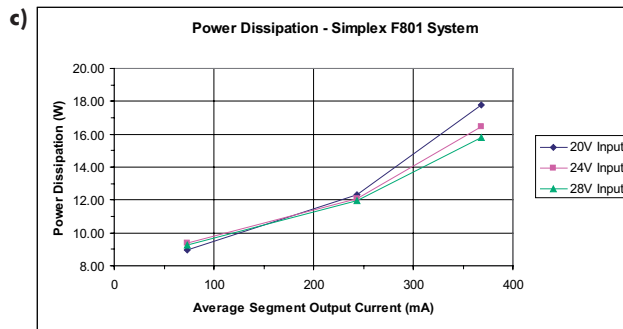
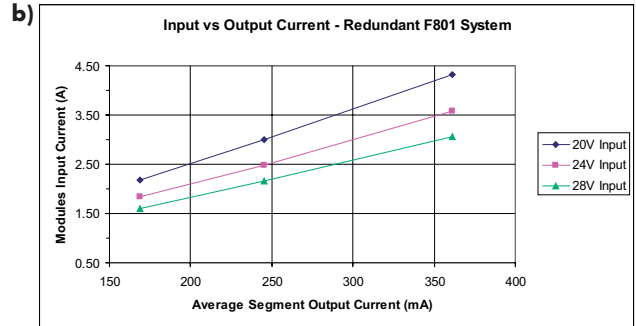
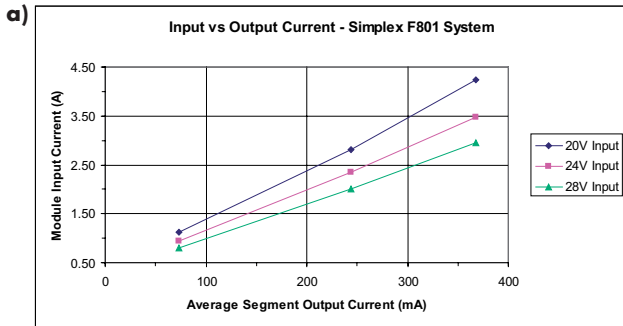
EUROPE (EMEA): +44 (0)1582 723633
enquiry@mtl-inst.com

THE AMERICAS: +1 800 835 7075
csinfo@mtl-inst.com

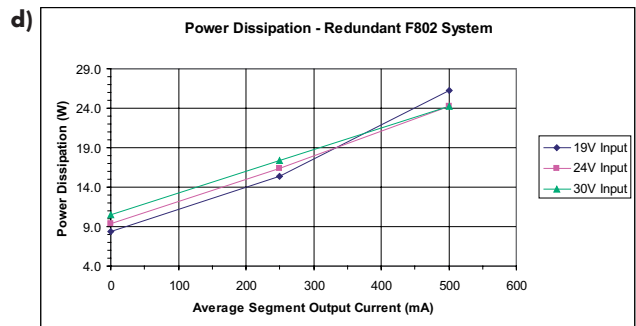
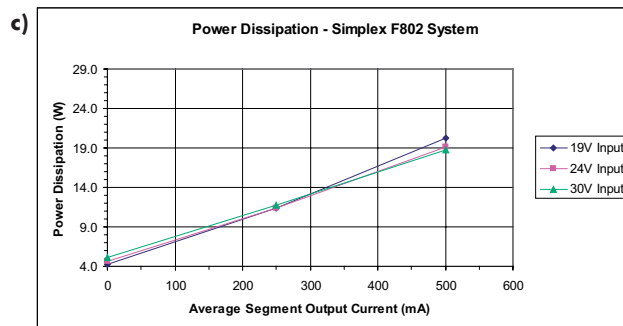
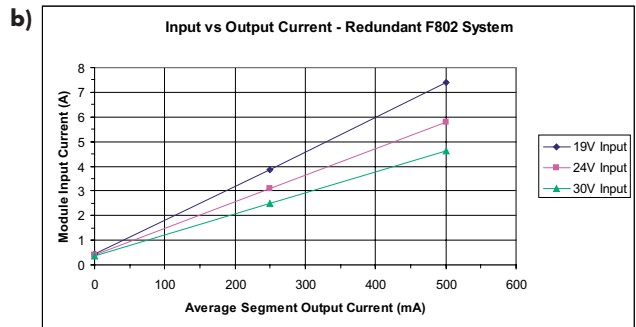
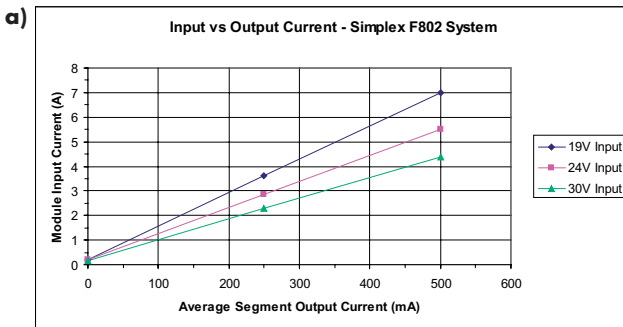
ASIA-PACIFIC: +65 6 487 7887
sales@mtlsing.com.sg

EPS F880 Rev9 080710

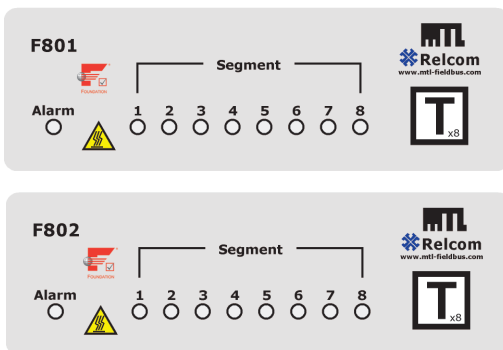
F801 PARAMETERS



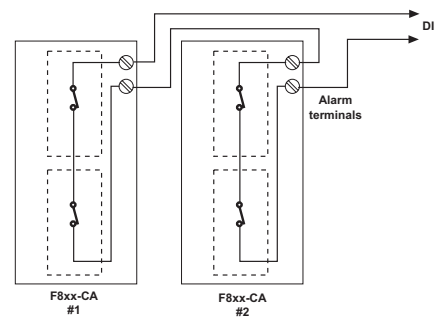
F802 PARAMETERS



F80x module top panels showing indicators



Linking alarm circuits



The given data is only intended as a product description and should not be regarded as a legal warranty of properties or guarantee. In the interest of further technical developments, we reserve the right to make design changes.



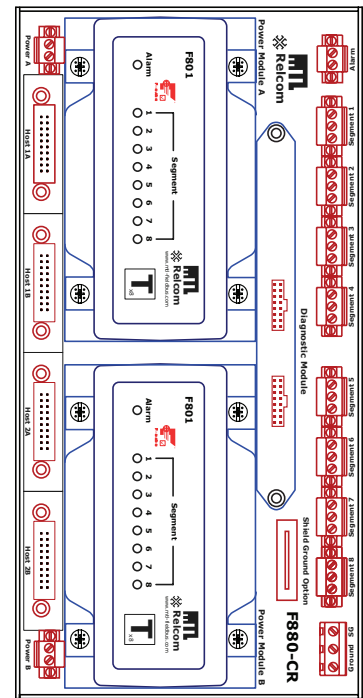
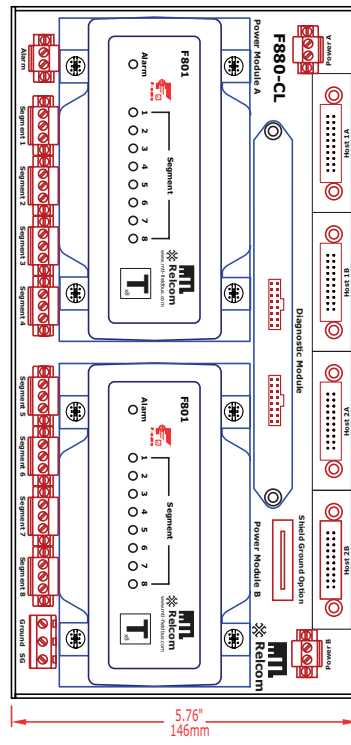
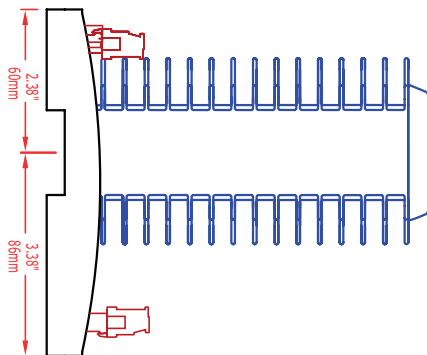
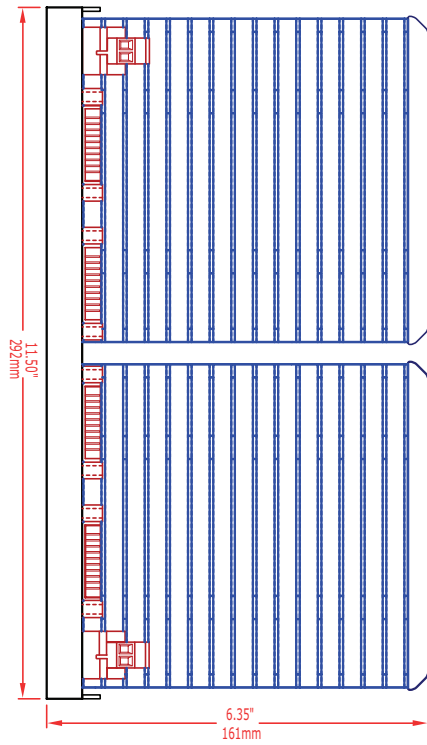
EUROPE (EMEA): +44 (0)1582 723633
enquiry@mtl-inst.com

THE AMERICAS: +1 800 835 7075
csinfo@mtl-inst.com

ASIA-PACIFIC: +65 6 487 7887
sales@mtlsing.com.sg

EPS F880 Rev9 080710

F880-L* & F880-R* DIMENSIONS



The Shield Ground Option is available on revision D.0 and later units.

CAD drawings are available on-line at www.mtl-fieldbus.com

The given data is only intended as a product description and should not be regarded as a legal warranty of properties or guarantee. In the interest of further technical developments, we reserve the right to make design changes.



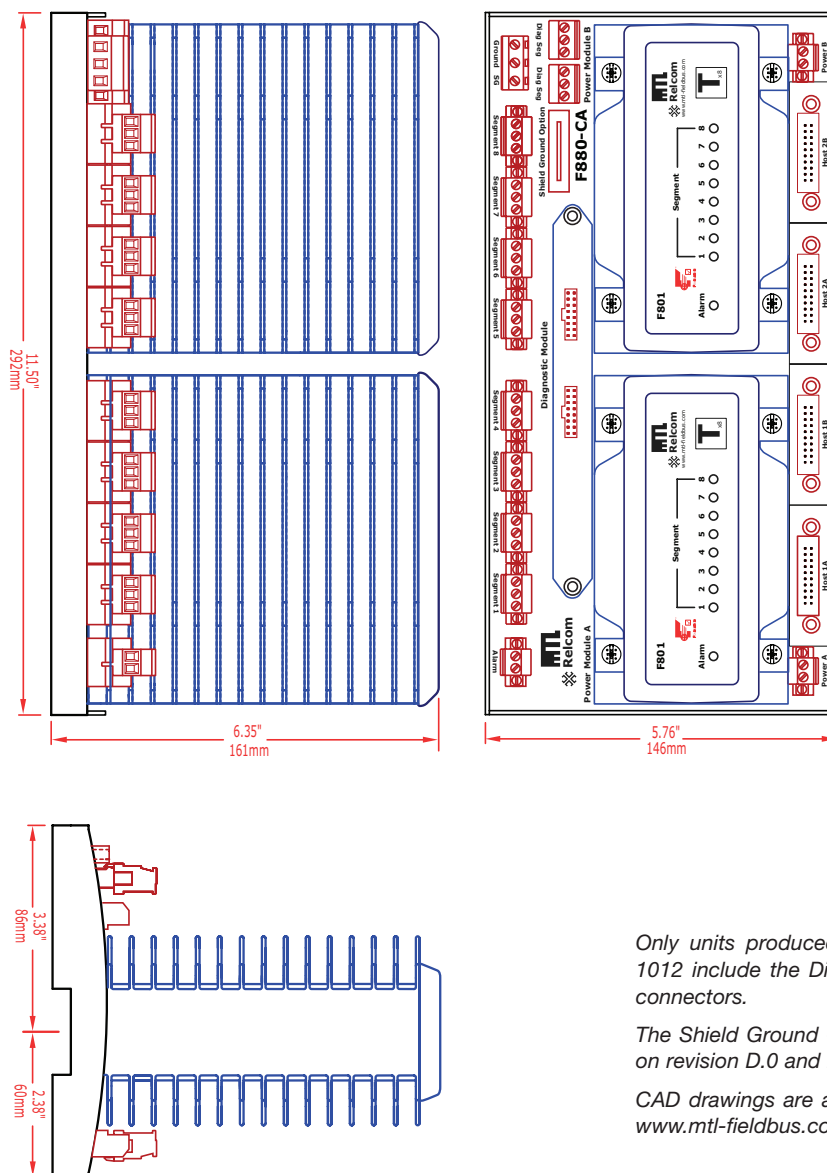
EUROPE (EMEA): +44 (0)1582 723633
 enquiry@mtl-inst.com

THE AMERICAS: +1 800 835 7075
 csinfo@mtl-inst.com

ASIA-PACIFIC: +65 6 487 7887
 sales@mtlsing.com.sg

EPS F880 Rev9 080710

F880-P* DIMENSIONS



Only units produced after date code 1012 include the Diagnostic Segment connectors.

The Shield Ground Option is available on revision D.0 and later units.

CAD drawings are available on-line at www.mtl-fieldbus.com

APPROVALS - for the latest certification information visit www.mtl-inst.com/support/certificates/

Region (Authority)	Standard	Certificate	Approved for	Ratings
EU (Relcom)	EN61326		Class A Industrial Locations	CE
(Fieldbus Foundation™)	FF-831	PS001700 - (F801) PS001900 - (F802)		Power Supply Type 132
US (FM)	3600, 3611, 3610	3025124 - (F801) 3033657 - (F802)	Class I, Div 2, ABCD, T4 Class I, Zone 2, IIC, T4	V _{max} = 24V (F801) = 30V (F802)
Canada (FM)	C22.2 No. 213 C22.2 No. 142	3025124C - (F801) 3033657C - (F802)	Class I, Div 2, ABCD, T4 Class I, Zone 2, IIC, T4	V _{max} = 24V (F801) = 30V (F802)
EU (Relcom)	IEC 60079-0:2004 IEC 60079-15:2005	RELC07ATEX1002X (F801 + F802)	Ex nA IIC T4	U _o = 24V (F801) = 30V (F802)

The given data is only intended as a product description and should not be regarded as a legal warranty of properties or guarantee. In the interest of further technical developments, we reserve the right to make design changes.



EUROPE (EMEA): +44 (0)1582 723633
enquiry@mtl-inst.com

THE AMERICAS: +1 800 835 7075
csinfo@mtl-inst.com

ASIA-PACIFIC: +65 6 487 7887
sales@mtlsing.com.sg

EPS F880 Rev9 080710